

ALBION®

// INTRODUCING THE ULTIMATE TPE WHEEL FOR THE OUTDOORS

THE CASTER EXPERTS

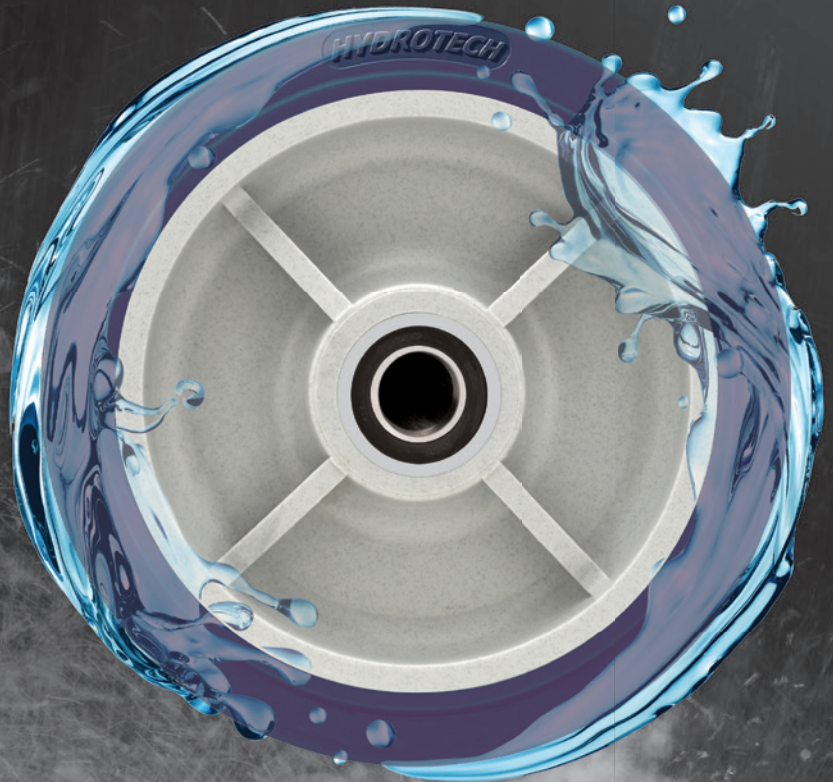
HYDROTECH™



ENGINEERED TO WEATHER THE ELEMENTS

The innovative TPE alloy HYDROTECH™ wheels are formulated and designed to withstand continuous exposure to moisture, significantly increasing life expectancy compared to TPU.

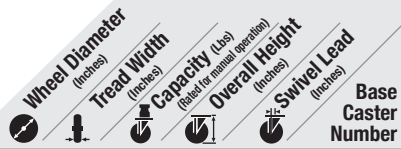
- Fusion bonded to prevent tread separation and reduce noise related to mechanical interlock failures
- Same load capacity and rollability as TPU
- Excellent abrasion resistant 40D(±5) durometer
- USA-made wheel is built to last and backed with confidence by an industry leading 3-year warranty
- Since 1885, Colson's quality lines of casters and wheels have defined the caster industry
- **The TPE Wheel is fully recyclable as TPO or PP after the bearing has been removed**



REQUEST SAMPLES OR QUOTES
WWW.ALBIONCASTERS.COM/HYDROTECH

HYDROTECH™

The ultimate TPE wheel for the outdoors



ACCESSORIES

28 Series Kingpinless Maintenance Free Ergonomic Casters

HF	Wheel Diameter (Inches)	Tread Width (Inches)	Capacity (Lbs)	Overall Height (Inches)	Swivel Lead (Inches)	Base Caster Number
	6	2	900	7 1/2	2 1/2	28HF06229S
	8	2	1000	9 1/2	3 1/2	28HF08229S01
	8	2	1000	10 1/8	3 1/2	28HF08229S

Standard Bearing: Pedestal Precision Ball (29)
 Optional Bearing: Roller (01); change 29 to 01



110 Kingpinless Casters

HF	Wheel Diameter (Inches)	Tread Width (Inches)	Capacity (Lbs)	Overall Height (Inches)	Swivel Lead (Inches)	Base Caster Number
	4	2	600	5 5/8	1 3/16	110HF04201S
	5	2	750	6 1/2	1 3/8	110HF05201S
	6	2	900	7 1/2	1 9/16	110HF06201S
	8	2	1000	9 1/2	2 1/4	110HF08201S01
	8	2	1000	10 1/8	2 1/4	110HF08201S

Standard Bearing: Roller Bearing (01)
 Optional Bearing: Pedestal Precision Ball (01); change 01 to 29



120 Series Stainless Steel Kingpinless Casters

HF	Wheel Diameter (Inches)	Tread Width (Inches)	Capacity (Lbs)	Overall Height (Inches)	Swivel Lead (Inches)	Base Caster Number
	4	2	600	5 5/8	1 3/16	120HF04201S
	5	2	750	6 1/2	1 3/8	120HF05201S
	6	2	900	7 1/2	1 9/16	120HF06201S
	8	2	1000	9 1/2	2 1/4	120HF08201S01
	8	2	1000	10 1/8	2 1/4	120HF08201S

Standard Bearing: Roller Bearing (01)
 Optional Bearing: Pedestal Precision Ball (01); change 01 to 29



18 Series Economical Kingpinless Maintenance Free Casters

HF	Wheel Diameter (Inches)	Tread Width (Inches)	Capacity (Lbs)	Overall Height (Inches)	Swivel Lead (Inches)	Base Caster Number
	4	2	600	5 5/8	1 11/16	18HF04229S
	5	2	750	6 1/2	1 5/8	18HF05229S
	6	2	900	7 1/2	1 3/4	18HF06229S
	8	2	1000	9 1/2	1 3/4	18HF08229S

Standard Bearing: Pedestal Precision Ball (29)
 Optional Bearing: Roller (01); change 29 to 01



16 Series Standard Kingpin Casters

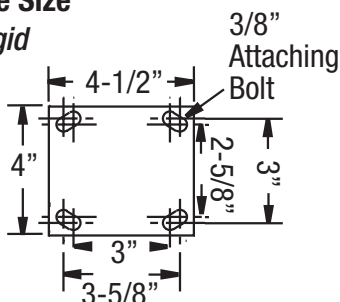
HF	Wheel Diameter (Inches)	Tread Width (Inches)	Capacity (Lbs)	Overall Height (Inches)	Swivel Lead (Inches)	Base Caster Number
	4	2	600	5 5/8	1 11/16	16HF04201S
	5	2	750	6 1/2	1 5/8	16HF05201S
	6	2	900	7 1/4	1 3/4	16HF06201S
	8	2	1000	9 1/2	1 3/4	16HF08201S

Standard Bearing: Roller Bearing (01)
 Optional Bearing: Pedestal Precision Ball (29); change 01 to 29, Delrin (51); change 01 to 51



To order accessory, add code above to end of model. Example: 28HF06201SFBK

Standard Plate Size Swivel and Rigid



REPLACEMENT WHEELS

Wheel Diameter	Tread Width (Inches)	Capacity (Lbs) (Rated for manual operation)	Hub Length (Inches)	Bore ID (Inches)	Roller Bearing ID (Inches)	Approx. Wt. (Lbs)	Wheel Bearing	Wheel Number
----------------	----------------------	--	---------------------	------------------	----------------------------	-------------------	---------------	--------------

HydroTech Flat Tread (HF)



Temperature range:
-45°F to +180°F
(intermittent service)
+120°F (continuous service)
Durometer:
40 ±(5) Shore D

Standard Bearings

4"	2	600	2-3/16	1-3/16	–	1	Plain Bore	WH4X2TPE19
	2	600	2-3/16	1-3/16	3/4	1	Delrin	HF0425112
	2	600	2-7/16	1-9/16	1/2	1	Pedestal Precision Ball	HF0422908
	2	600	2-3/16	1-3/16	3/4	1	Roller	HF0420212
5"	2	750	2-3/16	1-3/16	–	1-1/8	Plain Bore	WH5X2TPE19
	2	750	2-3/16	1-3/16	3/4	1-1/8	Delrin	HF0525112
	2	750	2-7/16	1-9/16	1/2	1-1/8	Pedestal Precision Ball	HF0522908
	2	750	2-3/16	1-3/16	3/4	1-1/8	Roller	HF0520112
6"	2	900	2-3/16	1-3/16	–	1-3/8	Plain Bore	WH6X2TPE19
	2	900	2-3/16	1-3/16	3/4	1-3/8	Delrin	HF0625112
	2	900	2-7/16	1-9/16	1/2	1-3/8	Pedestal Precision Ball	HF0622908
	2	900	2-3/16	1-3/16	3/4	1-3/8	Roller	HF0620112
8"	2	1000	2-3/16	1-3/16	–	1-3/8	Plain Bore	WH8X2TPE19
	2	1000	2-3/16	1-3/16	3/4	1-3/8	Delrin	HF0825112
	2	1000	2-7/16	1-9/16	1/2	1-3/8	Pedestal Precision Ball	HF0822908
	2	1000	2-3/16	1-3/16	3/4	1-3/8	Roller	HF0820112

Stainless Steel Bearings (Including Components)

4"	2	600	2-3/16	1-3/16	–	1	Plain Bore	WH4X2TPE19
	2	600	2-3/16	1-3/16	3/4	1	Delrin	HF0425112SS
	2	600	2-7/16	1-9/16	1/2	1	Pedestal Precision Ball	HF0422908SS
	2	600	2-3/16	1-3/16	3/4	1	Roller	HF0420212SS
5"	2	750	2-3/16	1-3/16	–	1-1/8	Plain Bore	WH5X2TPE19
	2	750	2-3/16	1-3/16	3/4	1-1/8	Delrin	HF0525112SS
	2	750	2-7/16	1-9/16	1/2	1-1/8	Pedestal Precision Ball	HF0522908SS
	2	750	2-3/16	1-3/16	3/4	1-1/8	Roller	HF0520112SS
6"	2	900	2-3/16	1-3/16	–	1-3/8	Plain Bore	WH6X2TPE19
	2	900	2-3/16	1-3/16	3/4	1-3/8	Delrin	HF0625112SS
	2	900	2-7/16	1-9/16	1/2	1-3/8	Pedestal Precision Ball	HF0622908SS
	2	900	2-3/16	1-3/16	3/4	1-3/8	Roller	HF0620112SS
8"	2	1000	2-3/16	1-3/16	–	1-3/8	Plain Bore	WH8X2TPE19
	2	1000	2-3/16	1-3/16	3/4	1-3/8	Delrin	HF0825112SS
	2	1000	2-7/16	1-9/16	1/2	1-3/8	Pedestal Precision Ball	HF0822908SS
	2	1000	2-3/16	1-3/16	3/4	1-3/8	Roller	HF0820112SS

HYDROTECH CHEMICAL CHART

Organics & Solvents		Methylene chloride	X	Acids		Sulfuric, 78%	F
Acetone	G	Methyl ethyl ketone	F	Acetic, 10-50%	G	Tannic	G
Alcohol, butyl	G	Oakite (floor cleaner)	E	Acetic, 75%	G	Alkalies	
Alcohol, ethyl	G	Orangeve	X	Acetic, glacial	G	Tartaric	F
Alcohol, methyl	G	Naptha	F	Boric	G	Ammonium hydroxide	G
Aniline	G	Nitrobenzene	X	Butyric	G	Calcium hydroxide	G
Benzene	X	Phenol	X	Chromic	F	Potassium hydroxide	G
Bravo (wax stripper diluted)	E	Toluene	X	Citric	G	Sodium hydroxide	G
Carbon disulfide	X	Trichloroethylene	X	Fluoboric	G	Salts	
Carbon tetrachloride	X	Varsol	X	Hydrobromic, 25%	G	Acid salts	G-F
Chlorobenzene	X	Vestalene (detergent diluted)	E	Hydrochloric, 10%	G	Alkaline salts	G
Chloroform	X	Urine	E	Hydrofluoric	F	Neutral salts	G
Colson 45 lubricant	G	Gases		Lactic	F	Miscellaneous salts:	
Enclean SS-2 (parts cleaner)	X	Carbon dioxide	G	Nitric, 5%	G	Potassium dichromate	G
Ethyl acetate	F	Carbon monoxide	G	Nitric, 65%	X	Potassium permanganate	G
Ethylene chloride	G	Chlorine, wet	F	Oleic	G	Salt water	G
Ethylene dichloride	F	Chlorine, dry	F	Oleum	X	Sodium cyanide	G
Ethyl ether	G	Hydrogen sulfide	G	Oxalic	G	Sodium ferricyanide	G
Formaldehyde, 37%	G	Sulfur dioxide, wet	F	Phosphoric, 25%	G	Sodium hypochlorite	G
Gasoline	X	Sulfur dioxide, dry	F	Phosphoric, 85%	G		
Heptane	X			Sulfuric, 10%	G		



HYDROTECH: THE INNOVATIVE WEATHER RESISTANT TPE ALLOY

Colson Group USA is excited to introduce their latest innovation: the HydroTech wheel. These water-resistant wheels are essential for industries where water, moisture, and humidity are present. The HydroTech wheel is formulated to withstand continuous exposure to moisture, significantly increasing its life expectancy compared to TPU wheels.

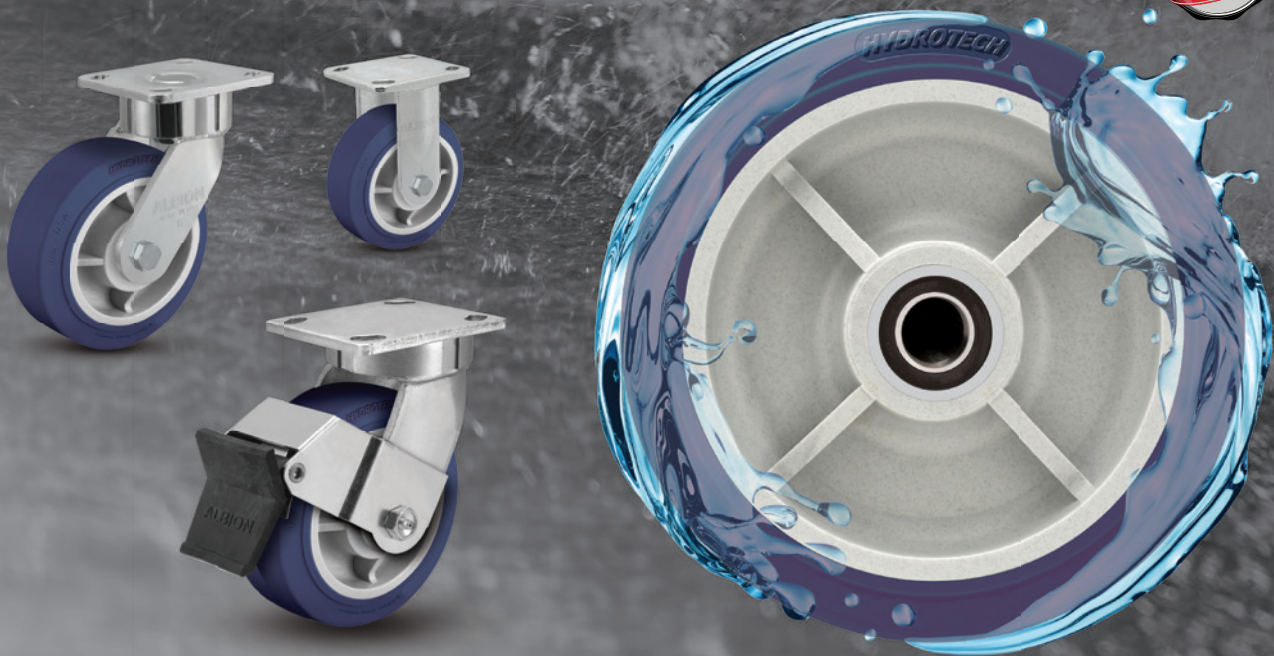
One of the standout features of the HydroTech wheel is its ability to withstand moisture. Many wheels crack, fall apart, or become unusable with continuous exposure to water, but HydroTech's TPE alloy ensures the wheel maintains its strength and durability, even in wet or humid environments.

Hydrolysis is a chemical reaction that occurs when water molecules break down the chemical bonds in a material. The TPE alloy used in the HydroTech wheel is specifically formulated to resist hydrolysis due to its unique formulation and fusion-bonded construction. This makes it a great choice for a variety of applications, including box stores, medical facilities, and industrial settings.

The HydroTech wheel has the same load capacity and rollability as TPU, making it an ideal choice for applications that require high-performance wheels. It also features a design that prevents tread separation and reduces noise related to mechanical interlock

failures, ensuring durability and reliability in tough conditions. With an excellent abrasion-resistant 40D (± 5) durometer, the HydroTech wheel can handle heavy loads and provide smooth, efficient movement.

Businesses that choose HydroTech wheels can be confident that they are investing in a reliable and durable product that is designed to last. The HydroTech wheel comes with an industry-leading 3-year warranty, making it a top choice for industries that require high-performance wheels that can withstand tough conditions, including moisture and hydrolysis. Contact Colson Group today to learn more about HydroTech wheels and how they can benefit your business.



800 North Clark Street
Albion, MI 49224
Phone: 800-835-8911

ALBIONCASTERS.COM/HYDROTECH

© Copyright 2024 | Colson Group | colsongroup.com | CGP309.1224.r1
All product and brand names are trademarks and the property of Colson Group. Specifications subject to change without notice.